

VOLAT



TRUCK CHASSIS

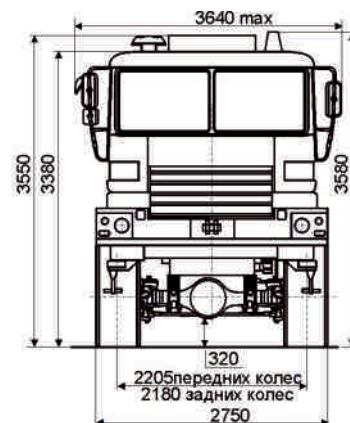
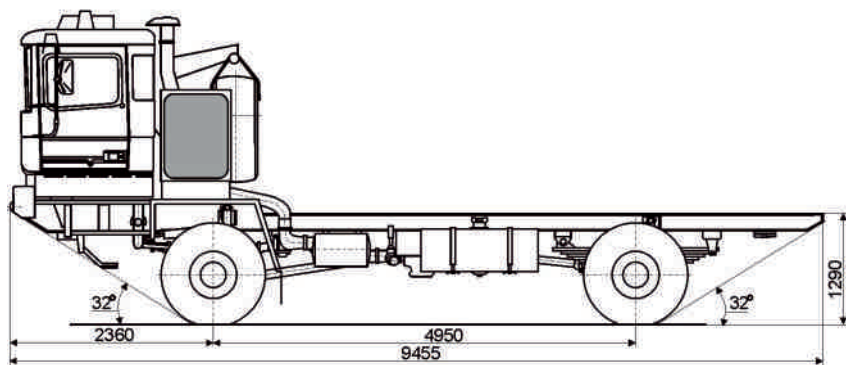
MZKT-8022

4X4, WEIGHT OF MOUNTED EQUIPMENT 6 TON

VEHICLES OVERCOMING ALL OBSTACLES

TRUCK CHASSIS MZKT-8022

VOLAT



SPECIFICATIONS

PERFORMANCE DATA

Wheel drive	4x4
Max. speed	60 km/h
Angle of approach	32°
Angle of departure	32°
Ground clearance	320 mm
Turning radius (curb to curb)	12 m
Working temperature	-45 - +50
Fuel tank capacity	350 l
Airtransportable	An-22, An-124

WEIGHT DATA

Gross vehicle weight	16350 kg
Curb vehicle weight	10350 kg
Payload	6000 kg
Permissible weight on axle:	2x8175 kg

ENGINE

YaMZ-236 BE2T6, diesel, V-shaped, 6-cylinder, power - 184 kW (250 h.p.) at 2000 min⁻¹, max. torque - 1078 Nm

TRANSMISSION

YaMZ 238 BM7, mechanic
Number of gears: forward - 8, reverse - 2

TRANSFER CASE

1-speed, with locking differential

LEADING AXLES

Central reduction gears with interaxle and interwheel differentials

AXLE SUSPENSION

Conventional, spring, амортизаторы телескопического типа

STEERING SYSTEM

Left hand drive, hydraulic power assisted

BRAKE SYSTEM

With double circuit pneumatic drive

TYRES

18R 22,5 NR 27, central tyre inflation system (CTIS)

FRAME

Longitudinal, frame section - box-shaped metal bumper equipped with towing forks

CAB

Fiberglass, 2-doors, 3-seats

ELECTRICAL EQUIPMENT

Nominal voltage 24V
Batteries 2 x 180Ah

OPTIONS

Powerful heater/ventilator
Air conditioner
Autonomous heater
Tyres with Runflat system