

VOLAT



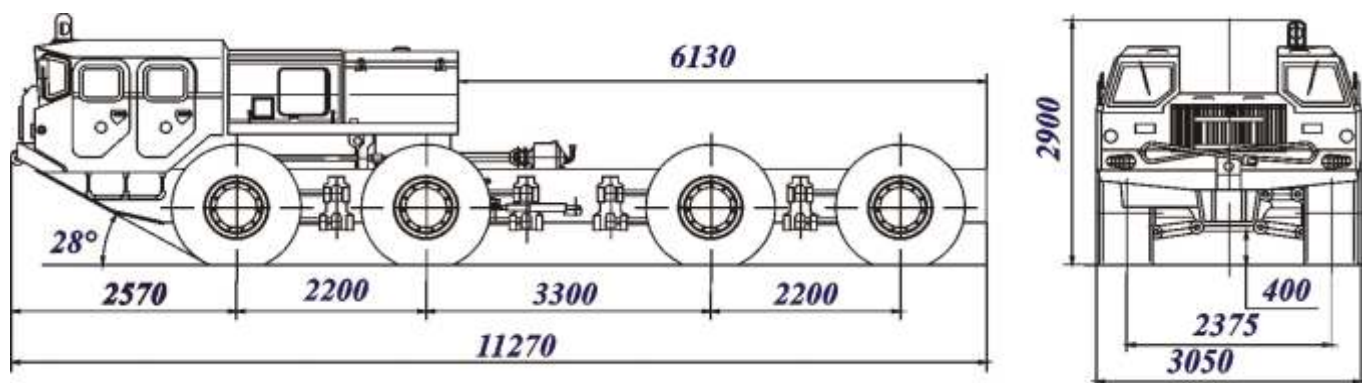
TRUCK CHASSIS MZKT-543A

8X8, WEIGHT OF MOUNTED EQUIPMENT UP TO 20 TONS

VEHICLES OVERCOMING ALL OBSTACLES

TRUCK CHASSIS MZKT-543A

VOLAT



SPECIFICATIONS

PERFORMANCE DATA

Wheel drive	8x8
Max. speed	60 km/h
Gradeability	55%
Angle of approach	28°
Angle of departure	35°
Ground clearance	400 mm
Climbing steps (up to)	350 mm
Side slope	35%
Turning radius (curb to curb)	13,5 m
Fording depth with pas	1,2 m
Trench width	2,5 m
Cruising range	650 km
Operating temperature	-40 - +50
Fuel tank capacity	2x350 l
Air transportable	An-22, An-124

WEIGHT DATA

Gross vehicle weight	40400 kg
Curb vehicle weight	21000 kg
Payload	19400 kg
Permissible weight on axle:	
1st and 2nd	21050 kg
3rd and 4th	22450 kg

ENGINE

D12A-525A, diesel, V-shape, 12-cylinder, power – 386 kW (525h.p.) at 2000 min⁻¹

TRANSMISSION

Automatic transmission produced by MWTP

TRANSFER CASE

2-speed
Gear ratio: 1:1,00/1:1,88

DRIVING AXLES

Central reduction gears with interaxle and cross-axle differentials lock, planetary wheel hub reduction

FIRST AND SECOND AXLES

Steerable, driven

AXLE SUSPENSION

Independent torsional wheel suspension, heavy-duty shock absorbers

STEERING SYSTEM

Left/right hand drive, hydraulic power assisted

BRAKE SYSTEM

With dual-circuit pneumatic and hydraulic drive

TYRES

1500x600-635, tubeless, CTIS

FRAME

Low-torsion ladder frame, coupled with bolted cross-members, steel bumper. Frame equipped in front with two towing forks and rear towing hook

CAB

2 pcs with 2-door in each, fiber-glass, reinforced, 2-seat, adjustable steering wheel, lighting instrumental panel, interior lighter and reading lamp

ELECTRICAL EQUIPMENT

Nominal voltage	24V
Batteries	4 pcs, 380 Ah
Single-wire, screened	

OPTIONS

Cable winch as recovery or self-recovery
Powerful heater/ventilator
Air conditioner
Auxiliary heater
Runflat tyres
Armored cab