

# VOLAT



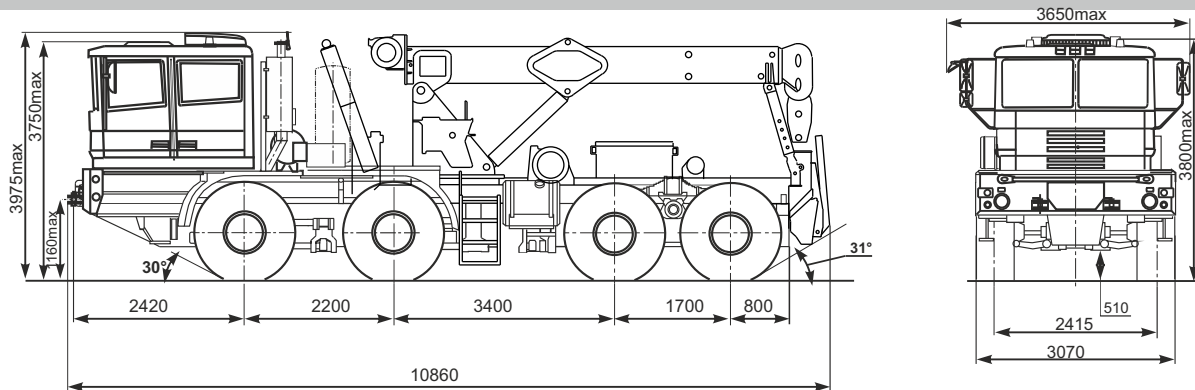
## RECOVERY VEHICLE MZKT-790986

8X8, WEIGHT OF MOUNTED EQUIPMENT 15,3 TONS

VEHICLES OVERCOMING ALL OBSTACLES

# RECOVERY VEHICLE MZKT-790986

# VOLAT



## SPECIFICATIONS

### PERFORMANCE DATA

Max. speed	85 km/h
Gradeability	55%
Angle of approach	30°
Angle of departure	30°
Ground clearance	510 mm
Climbing steps (up to)	500 mm
Side slope	40%
Turning radius (curb to curb)	16 m
Fording depth with pas	1,4 m
Trench width	2,0 m
Cruising range	1000 km
Operating temperature	-30° - +55°
Fuel tank capacity	2x385 l
Air transportable	An-22, An-124

### WEIGHT DATA

Wheel drive	8x8
Gross vehicle weight (including 7 crew)	39700 kg
Mounted equipment weight	15300 kg
Permissible weight on axle:	
1st and 2nd	20300 kg
3rd and 4th	19400 kg

### ENGINE

Deutz TCD2015V08, 4-stroke, diesel, turbocharged, V-8, 90°, rated power 400 kW (544h.p.) at 2100 min<sup>-1</sup>, max. torque – 2200 Nm, air compressor 2x300 cm<sup>3</sup>

### TRANSMISSION

Allison SP 4500 P automatic  
Number of gears: forward – 6, reverse – 1  
Range 4,7-0,67

### TRANSFER CASE

2-speed, with lockable interbogie differential  
Gear ratio: 1:1,00/1:1,88

### AXLES

Central reduction gears with interaxle and cross-axle differentials lock, planetary wheel hub reduction

### FIRST AND SECOND AXLES

Steerable, driven

### FRONT SUSPENSION

Independent torsional wheel suspension, heavy-duty shock absorbers

### REAR SUSPENSION

Independent, spring-balanced type

### STEERING SYSTEM

Left/right hand drive, hydraulic power assisted

### TYRES/RIMS

26,5R25 or 26.5-25, tubeless, CTIS, rims – 19,5-25

### FRAME

Low-torsion ladder frame, welded, with cross-members, steel bumper. Frame equipped in front with two towing forks and rear towing hook

### PERFORMANCE DATA OF RECOVERY VEHICLE EQUIPMENT

Crane load moment	53 tm
Max. crane lifting capacity	16000 kg
Crane boom length	5200-9300 mm
Max. hook lifting height from equipment auxiliary frame	8400 mm
Crane revolving part rotation limit	0-270°
Crane boom lifting angle range	0-56°
Outrigger transversal base:	
Front	6900 mm
Rear	2200 mm
Max. force of pull winch with single cable	20000 kg
Pull winch cable length	60 m
Auxiliary winch cable length	100 m

### OPTIONS

Powerful heater/ventilator  
Air conditioner  
Auxiliary heater  
2 large central LC display  
Extended version of modular cab  
Armored cab  
A pressure control system  
Runflattyres