

VOLAT



VOLAT

MINSK WHEEL TRACTOR PLANT
150, Partizanski Ave., 220021, Belarus, Minsk

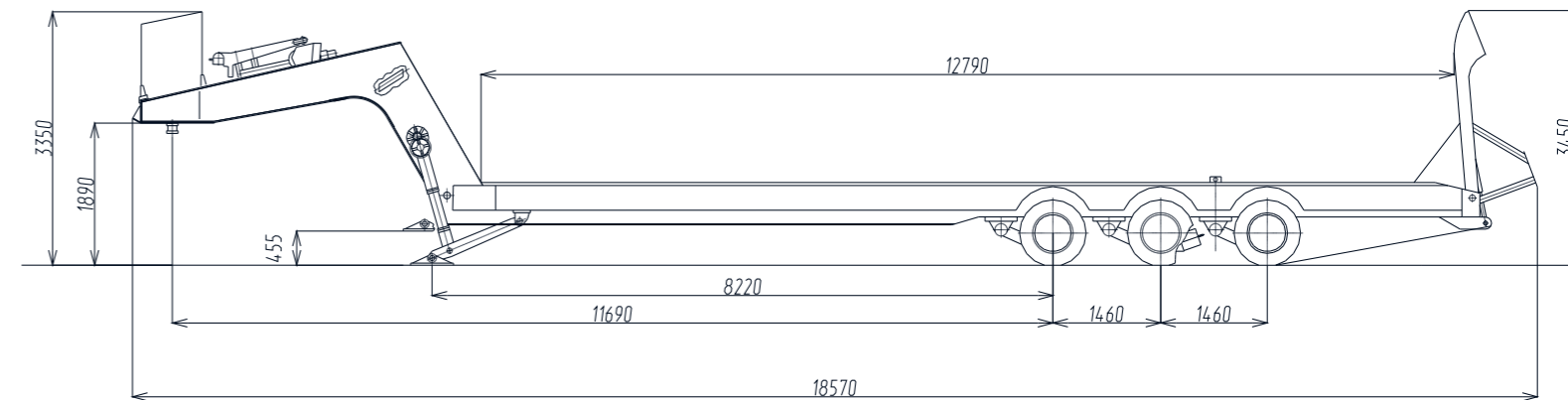
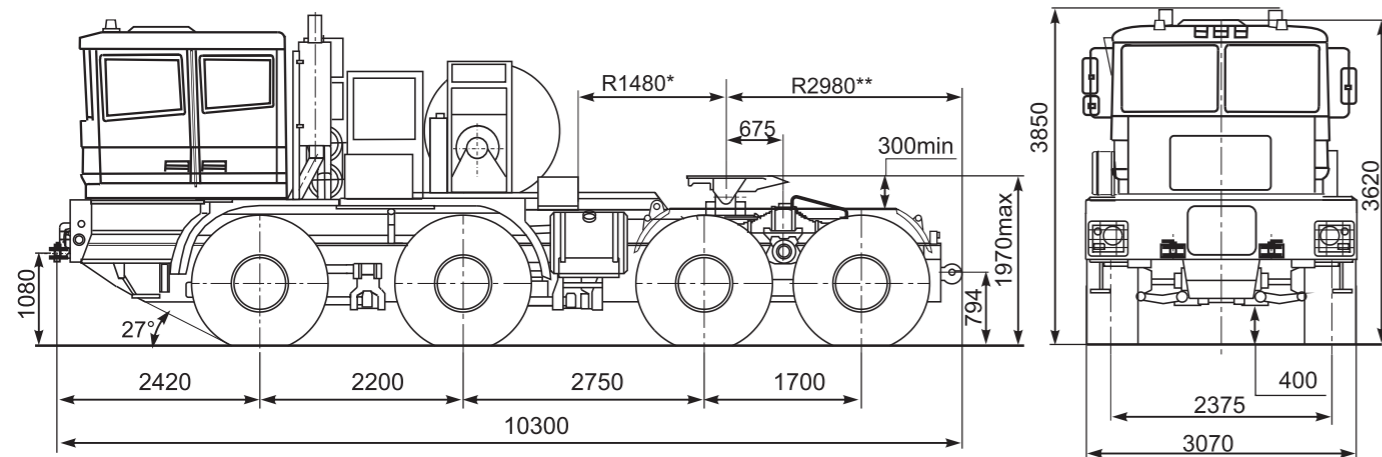
TANK TRANSPORTER
MZKT-742953+999430

VEHICLES OVERCOMING ALL OBSTACLES

TANK TRANSPORTER

MZKT-742953+999430

VOLAT



TRACTOR HEAD MZKT-742953

SEMI-TRAILER MZKT-999430

PERFORMANCE DATA

Wheel drive	8x8
Max. speed, km/h	62
Gradeability, %	20
Angle of approach	27°
Angle of departure	27°
Ground clearance, mm	400
Turning radius (curb to curb), m	15
Fuel tank capacity, l	770

WEIGHT DATA

Curb vehicle weight, kg	27 000
Fifth wheel load, kg	27 000
Gross vehicle weight, kg	54 700
Permissible weight on axles, kg	
front axles	2x11 600
rear axles	2x15 750

ENGINE

Type	DaimlerChrysler OM444LA
Number and location of cylinders	V12
Power	500 kW (680 h.p) at 2100 min ⁻¹

TRANSMISSION

Type	automatic
	Allison M6600 PR
Number of gears	6 forward, 1 reverse
Gear ratio	4.0-0.67

TRANSFER CASE

Number of gears	2
Gear ratio	1:1; 1:1.601

DRIVING AXLES

1-ST AND 2-ND
Steered, central reduction gears with interaxle and cross-axle differentials lock and planetary wheel reduction gears

3-RD AND 4-TH

Central reduction gears with interaxle and cross-axle differentials lock and planetary wheel reduction gears

AXLE SUSPENSION

Front - independent, torsion bars
Rear - two-lever, spring-balanced

BRAKE SYSTEM

Shoe brakes with pneumohydraulic drive
Emergency, parking, auxiliary (engine) and hydrodynamic (retarder) brake
Semitrailer brakes pneumatic drive

TYRES

Wide-profile, high cross-country capability
Single tyres
Central tyre inflation system (CTIS)
Michelin 25/65 R25 XRB TL
Number: 8+1

FRAME

Longitudinal
Welded, with crossbars
Equipped with front and rear towing units

CAB

Fiberglass, 2 sleeping berths.
Equipped with ventilation, heating and condition systems

FIFTH WHEEL

Three degree of freedom, ø 100 mm

ELECTRICAL EQUIPMENT

Nominal voltage, V 24
Batteries 2pcs.

WINCH

Double-drum with hydraulic drive
Max. pulling capacity, kN 2x250

For transportation of different tracked vehicles of weight up to 70 t

PERFORMANCE DATA

Platform width, mm	3 950
Load height, mm	1 500
Overhang height	28°
Axles	3
King pin, mm	100

WEIGHT DATA

Curb semi-trailer weight, kg	27 100
Payload, kg	70 000
Gross semi-trailer weight, kg	97 100
Fifth-wheel load, kg	27 000
Permissible weight on axles, kg	3x23 360

FRAME

Longitudinal
Welded of rolled sheet

AXLE SUSPENSION

Equalizing type

BRAKE SYSTEM

Pneumatic, two-line
Wheel drum mechanisms of shoe type

ELECTRICAL EQUIPMENT

Nominal voltage, V 24

TYRES

285/60 R22.5 K294
Number: 26+2

RAMPS

Tilted, one-section. Hydraulic type lifting mechanism

SPECIAL EQUIPMENT

Support and guide rollers
Tracked article attachment braces
Counter-recoil shoes
Bumper bars

SUPPORT UNIT

Two independent supports
Mechanical and hydraulic jacks

VEHICLES OVERCOMING ALL OBSTACLES