

# VOLAT

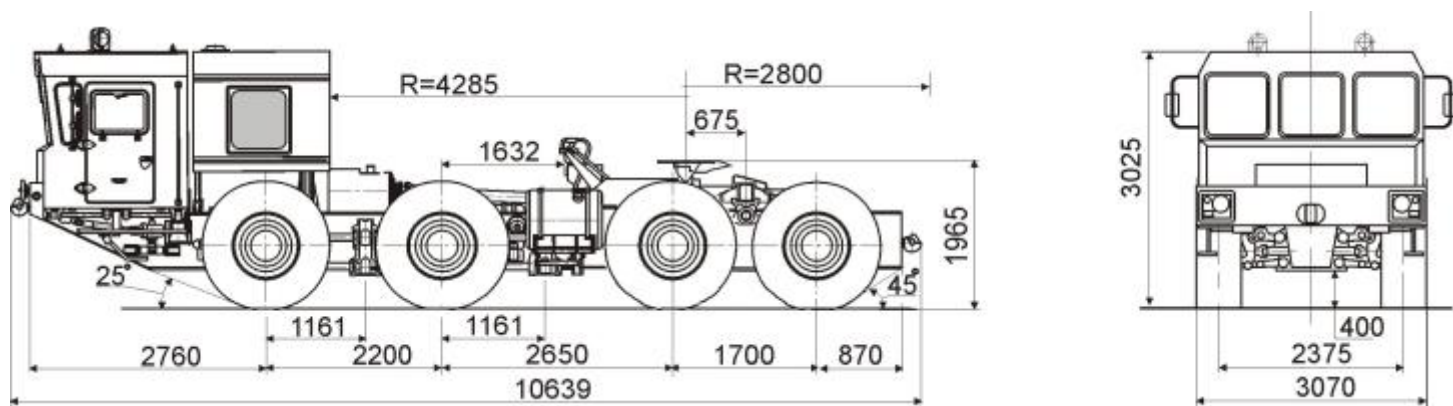


TRACTOR TRUCK  
MZKT-741500

V E H I C L E S   O V E R C O M I N G   A L L   O B S T A C L E S

# TRACTOR TRUCK MZKT-741500

# VOLAT



## SPECIFICATIONS

### PERFORMANCE DATA

Wheel drive	8x8
Max. speed, km/h	70
Gradeability, %	60
Vertical step, mm	400
Side slope, %	83
Turning radius, m	15
Fording depth, m	1,4
Trench width, m	2
Fuel tank capacity, l	2x385
Cruising range, km	1 000
Operating temperature, °C	-45 ... +50
Air transportable	IL-76, An-124, AN-22 C130, A400M, C-5, C-17

### WEIGHT DATA

Curb vehicle weight, kg	21 000
Gross vehicle weight, kg	38 800
Permissible weight on axles, kg	
1st and 2nd axles	2x9 150
3rd and 4th axles	2x10 250
Fifth-wheel load, kg	17 500
Gross combination weight, kg	61 300

### ENGINE

Model	TMZ-8493.10
Number and location of cylinders	V8
Power	368 kW (500 h.p.) at 2 100 min <sup>-1</sup>
Max. torque	1 960 Nm at 1 400 min <sup>-1</sup>

### TRANSMISSION

Type	manual
Model	YaMZ-202-04
Number of gears	9 forward, 1 reverse
Gear ratio	10.08-0.788

### TRANSFER CASE

2-speed, lockable inter-bogie differential

### DRIVING AXLES

Split, with central reduction gears, interaxle and cross-axle differential lock

### AXLE SUSPENSION

1st-4th axles - independent torsion bar

### STEERING SYSTEM

Left-hand drive, hydraulic power assisted  
1st and 2nd axles - steered

### BRAKE SYSTEM

Drum brakes of shoe-type with air-hydraulic drive  
Dual-circuit system

### TYRES

1500x600-635, offroad protector  
Central tyre inflation system (CTIS)

### FRAME

Longitudinal  
Equipped with front and rear towing units

### CAB

3-seat fiberglass  
Equipped with ventilation and heating systems

### ELECTRICAL EQUIPMENT

Nominal voltage 24 V  
Single-wire  
Batteries 4x190 Ah

### FIFTH WHEEL

3 degree of freedom  
King pin diameter 101 mm