

VOLAT



VOLAT

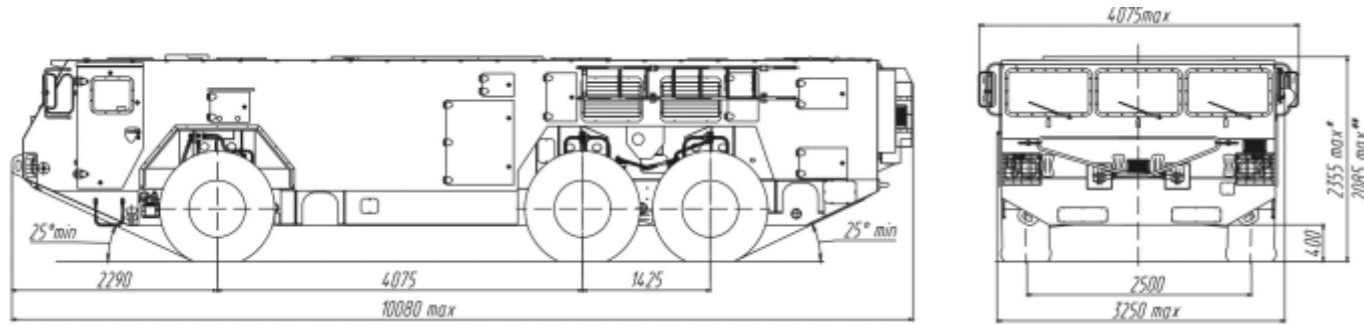
MINSK WHEEL TRACTOR PLANT
Partizanski Ave., 150, 220021, Minsk, Republic of Belarus

**BOX-TYPE CHASSIS FAMILY
MZKT-6922**

VEHICLES OVERCOMING ALL OBSTACLES

BOX-TYPE CHASSIS FAMILY MZKT-6922

VOLAT



TECHNICAL SPECIFICATION FOR MZKT-6922 10-1 10

PERFORMANCE DATA

Wheel drive	6x6
Max. speed, km/h	65
Gradeability, %	60
Vertical step, mm	300
Side slope, %	84
Turning radius, m	13,5
Fording depth, m	1,2
Trench width, m	1
Fuel tank capacity, l	530+200
Cruising range, km	840
Operating temperature, °C	-40 ... +50
Air transportable	IL-76, An-124, An-22 C130, A400M, C-5, C-17

WEIGHT DATA

Curb chassis weight, kg	22 000
Payload, kg	14 000
Gross vehicle weight, kg	36 000
Permissible weight on axles, kg	3x12 000

ENGINE

Model	YaMZ-6585
Number and location of cylinders	V8
Power	309 kW (420 h.p.) at 1 900 min ⁻¹
Max. torque	1 766 Nm

TRANSMISSION

Type	automatic
Model	GMP-400
Number of gears	5 forward, 1 reverse
Gear ratio	4.15-0.73

TRANSFER CASE

2-speed

DRIVING AXLES

Split, with central reduction gears, interaxle and cross-axle differential lock
1st axle -steered

AXLE SUSPENSION

1st, 2nd and 3rd axles - independent hydropneumatic
Adjustable clearance

STEERING SYSTEM

Left-hand drive
Hydraulic power assisted

BRAKE SYSTEM

Drum brakes of shoe-type with pneumatic drive
Engine break

TYRES

525/70R21, offroad protector
Central tyre inflation system (CTIS)

BODY

Full-metall welded
With built-in frame
Consists of 4 compartments: control, operational, equipment and engine
Control compartment with 2 doors and 5 seats
Equipment compartment with 2 hatches
Body equipped with front and rear towing units, ventilation, heating and air-condition systems,

ELECTRICAL EQUIPMENT

Nominal voltage 24 V
Single-wire, screened
Batteries 2x190 Ah

SPECIAL EQUIPMENT

Onboard information and control system
Automatic fire extinguishing system in equipment and engine compartments

Family of highly-unified box-type chassis MZKT-6922 is a Volat's alternative for tracked chassis for mounting and transporting of modern and future air-defence systems on all kinds of roads and terrains. Due to original design solutions chassis is capable of accomplishing tasks in different climatic and road conditions.

The main advantages of MZKT-6922 family of chassis are: independent hydropneumatic suspension with adjustable clearance, onboard information-management system, possibility to locate all mobile components of complex on one basic chassis (launching-charging vehicle, self-propelled firing vehicle, target detection station, command post). Common base chassis allows to considerably simplify operation, maintenance, repair, reduces range of spare parts and number of maintenance staff.

VARIANTS

MZKT-692200 (TOR-M2E/M2K)



MZKT-6922 10 (BUK-M2)



MZKT-692230 (KVADRAT-M)



MZKT-692220 (STILET)



VEHICLES OVERCOMING ALL OBSTACLES