

# VOLAT

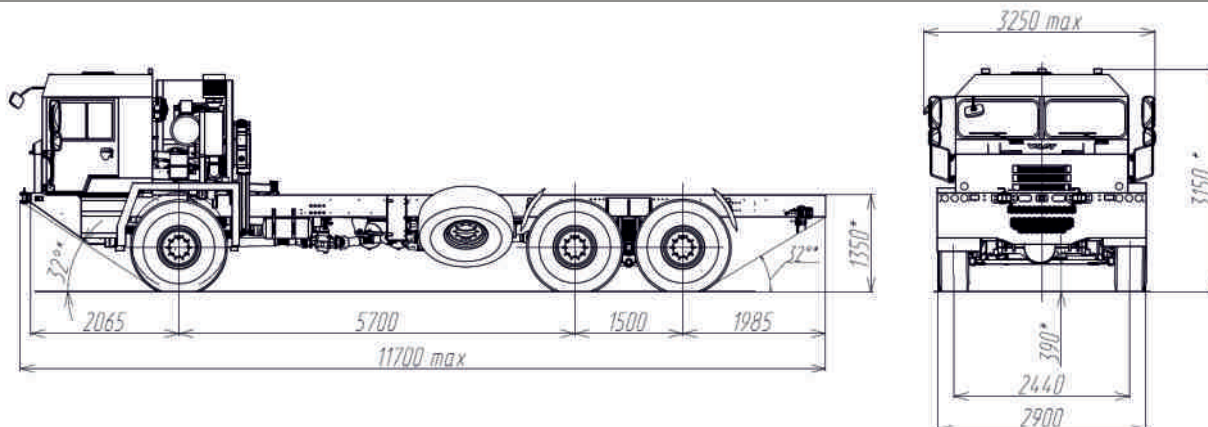


TRUCK CHASSIS  
MZKT-600600

VEHICLES OVERCOMING ALL OBSTACLES

# TRUCK CHASSIS MZKT-600600

# VOLAT



## SPECIFICATIONS

### PERFORMANCE DATA

Wheel drive	6x6
Max. speed, km/h	70
Gradeability, %	60
Angle of approach	32°
Angle of departure	32°
Ground clearance, mm	390
Vertical step, mm	400
Side slope, %	25
Turning radius (curb to curb), m	14,4
Fording depth, m	0,8
Trench width, m	2,5
Cruising range, km	900
Operating temperature, °C	-32...+55
Fuel tank capacity, l	500
Air transportable	IL-76, A-400M, An-22, An-124, C-5, C-17

### WEIGHT DATA

Curb chassis weight, kg	14 200
Payload, kg	21 800
Gross vehicle weight, kg	36 000

### ENGINE

Model	YaMZ-75117
Number and locations of cylinders	V8
Power	294 kW (400 h.p.) at 1 900 min <sup>-1</sup>

### TRANSMISSION

Type	automatic MZKT-4361
Number of gears	6 forward, 1 reverse
Gear ratio	4.15-0.63; R 4.79

### TRANSFER CASE

Number of gears	2
Gear ratio	1:0.89; 1:1.53

### DRIVING AXLES

Unsplit, with central reduction gear, with cross-axle and inter-axle differentials with positive locking

### AXLE SUSPENSION

Dependent, leaf-spring at front axle  
Dependent, spring-balanced at rear axles

### STEERING SYSTEM

Left hand drive, hydraulic power assisted

### BRAKE SYSTEM

Drum brakes of shoe type  
Pneumatic drive, dual-circuit system, ABS  
Engine brake and HMT retarder

### TYRES

Michelin 16.00R20 XZL TL, cross-country  
Central tyre inflation system (CTIS)  
Number of wheels - 6+1

### FRAME

Longitudinal  
Equipped with front and rear towing units

### CAB

Metallic framework, 2-door, 3-seat  
Equipped with ventilation and heating systems

### ELECTRICAL EQUIPMENT

Nominal voltage 24 V  
Batteries 4x180 Ah

### WINCH

Self-recovery winch, towing capacity 10 t

### OPTIONS

Fuel filter with water separation  
Engine liquid preheater  
Autonomic heater of the cabin  
Air conditioner  
Crew gun holders  
Place for installation of customers equipment in cab  
Places for installation of antennas at cab roof

