

VOLAT



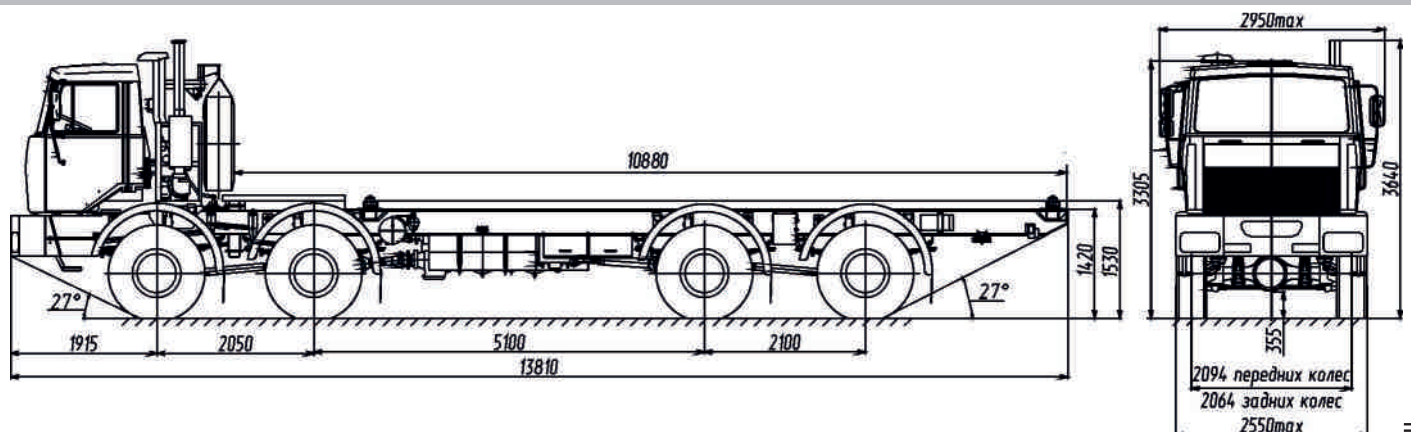
TRUCK CHASSIS MZKT-65272

8X8, WEIGHT OF MOUNTED EQUIPMENT UP TO 12 TONS

VEHICLES OVERCOMING ALL OBSTACLES

TRUCK CHASSIS MZKT-65272

VOLAT



SPECIFICATIONS

PERFORMANCE DATA

Wheel drive	8x8
Max. speed	75 km/h
Angle of approach	27°
Angle of departure	27°
Ground clearance	355 mm
Turning radius (curb to curb)	18,5 m
Folding depth with pass	1.0 m
Operating temperature	-45° - +50°
Fuel tank capacity	2x350 l
Cruising range	1000 km
Air transportable	An-22, An-124

WEIGHT DATA

Gross vehicle weight	29600 kg
Curb vehicle weight	17600 kg
Payload	12000 kg
Permissible weight on axle:	
1st and 2nd	2x7000 kg
3rd and 4th	2x7500 kg

ENGINE

YAMZ-7511, diesel, V-shape, 8-cylinder, power – 294 kW (400 h.p.) at 1900 min⁻¹

TRANSMISSION

MZKT-65151, manual
Number of gears: forward - 9, reverse - 1

TRANSFER CASE

1-speed, with lockable interbogie differential

DRIVING AXLES

Central reduction gears with interaxle and cross-axle differentials lock, planetary wheel hub reduction

AXLE SUSPENSION

Dependent leaf spring suspension, telescopic shock absorbers

STEERING SYSTEM

Left/right hand drive, hydraulic power assisted

BRAKE SYSTEM

Dual-circuit with pneumatic drive

TYRES

390/95 R20, tubed, CTIS

FRAME

Longitudinal type, steel bumper. Frame equipped in front with two towing forks and rear towing hook

CAB

All-metall, 2-door, 2-seat, adjustable steering wheel, lighting instrumental panel, interior lighter and reading lamp

ELECTRICAL EQUIPMENT

Nominal voltage	24V
Batteries	2 pcs, 190 Ah

OPTIONS

Powerful heater/ventilator
Air conditioner
Auxiliary heater
Runflat tyres