

VOLAT

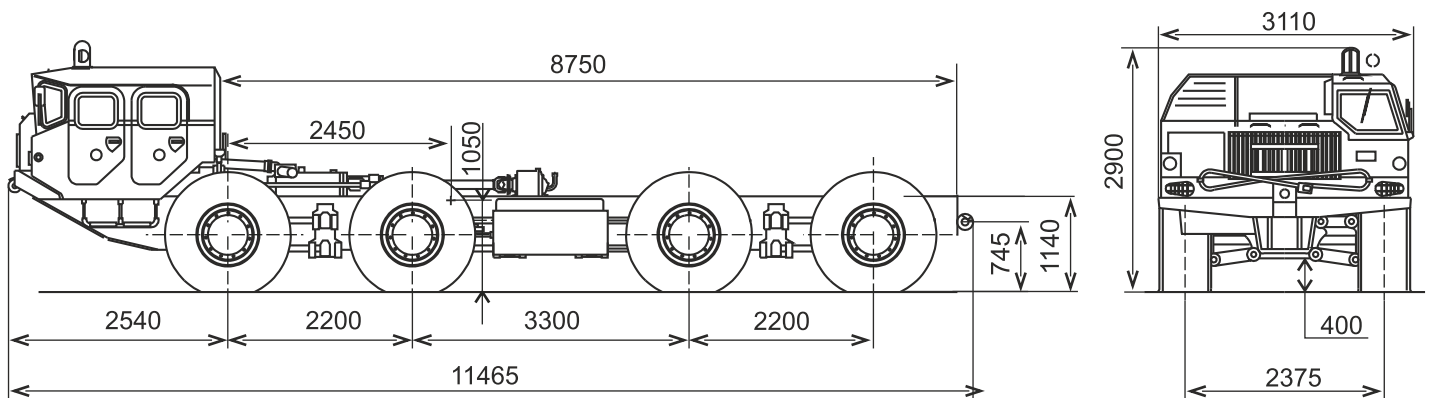


TRUCK CHASSIS
MZKT-543M

V E H I C L E S O V E R C O M I N G A L L O B S T A C L E S

TRUCK CHASSIS MZKT-543M

VOLAT



SPECIFICATIONS

PERFORMANCE DATA

Wheel drive	8x8
Max. speed, km/h	60
Gradeability, %	60
Vertical step, mm	400
Side slope, %	35
Turning radius, m	15,5
Fording depth, m	1,4
Trench width, m	2
Fuel tank capacity, l	2x350
Cruising range, km	1 000
Operating temperature, °C	-45 ... +50
Air transportable	IL-76, An-124, An-22 C130, A400M, C-5, C-17

WEIGHT DATA

Curb chassis weight, kg	21 100
Payload, kg	22 200
Gross vehicle weight, kg	43 500
Permissible weight on axles, kg	
1st and 2nd axles	2x10 525
3rd and 4th axles	2x11 225

ENGINE

Model	D12A-525A
Number and location of cylinders	V12
Power	386 kW (510 h.p.) at 2 100 min ⁻¹
Max. torque	2 315 Nm

TRANSMISSION

Type	automatic
Model	MZKT
Number of gears	3 forward, 1 reverse
Gear ratio	3.2-1.0

TRANSFER CASE

2-speed, lockable inter-bogie differential

DRIVING AXLES

Split, with central reduction gears, interaxle and cross-axle differential lock

AXLE SUSPENSION

1st-4th axles - independent torsion bar

STEERING SYSTEM

Left-hand drive, hydraulic power assisted
1st and 2nd axles - steered

BRAKE SYSTEM

Drum brakes of shoe-type with air-hydraulic drive
Dual-circuit system

TYRES

1500x600-635, offroad protector
Central tyre inflation system (CTIS)

FRAME

Longitudinal
Equipped with front and rear towing units

CAB

1 x 2-seat 2-door fiberglass cab
Equipped with ventilation and heating systems

ELECTRICAL EQUIPMENT

Nominal voltage 24 V
Single-wire
Batteries 4x190 Ah