

# VOLAT



# VOLAT

MINSK WHEEL TRACTOR PLANT  
150, Partizanski Ave., 220021, Belarus, Minsk

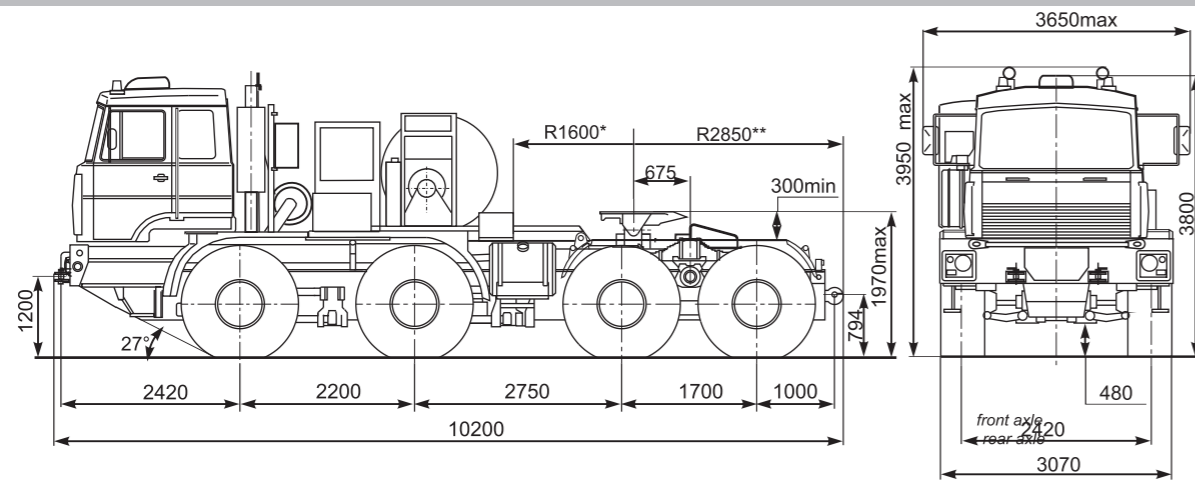
TANK TRANSPORTER  
MZKT-742952+937830

VEHICLES OVERCOMING ALL OBSTACLES

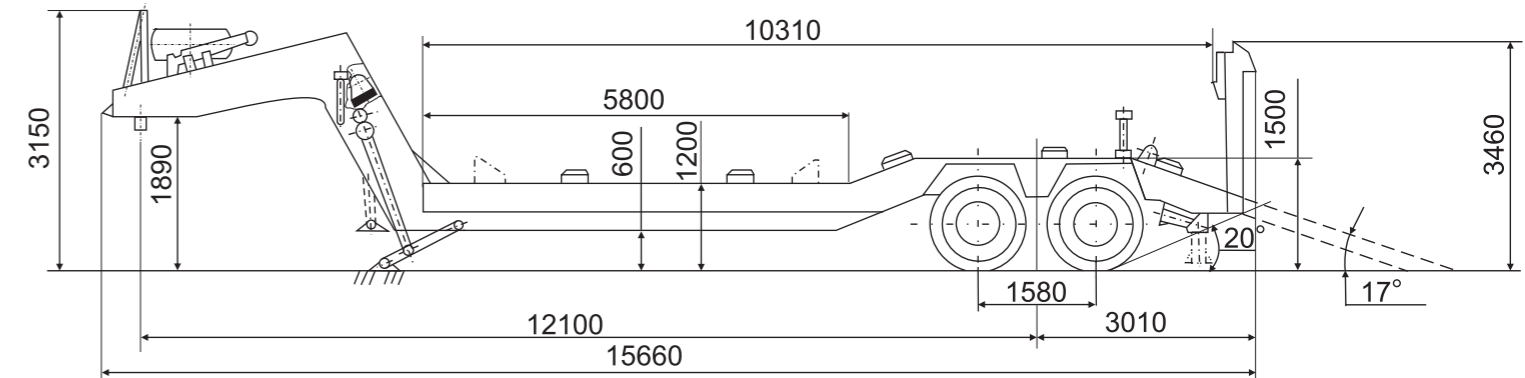
# TANK TRANSPORTER

## MZKT-742952+937830

# VOLAT



TRACTOR HEAD MZKT-742952



SEMI-TRAILER MZKT-937830

### PERFORMANCE DATA

Wheel drive	8x8
Max. speed, km/h	70
Angle of approach	27°
Angle of departure	27°
Ground clearance, mm	480
Turning radius (curb to curb), m	15
Fuel tank capacity, l	770

### WEIGHT DATA

Curb vehicle weight, kg	26 500
Fifth wheel load, kg	23 000
Gross vehicle weight, kg	50 000
Permissible weight on axles, kg	
front axles	2x10 500
rear axles	2x14 500

### ENGINE

Type	Deutz TCD 1015 V08
Number and location of cylinders	V8
Power	400 kW (544 h.p.) at 2100 min <sup>-1</sup>

### TRANSMISSION

Type	automatic
	Allison 4500I
Number of gears	6 forward, 1 reverse
Gear ratio	10.08-0.788

### TRANSFER CASE

Number of gears	2
Gear ratio	1:1; 1:1.601

### DRIVING AXLES

#### 1-ST AND 2-ND

Steered, central reduction gears with differential systems, including self-locking, two-hinged axle shaft propeller shaft and planetary wheel reduction gears

#### 3-RD И 4-TH

Central reduction gears with differential systems, including self-locking, two-hinged axle shaft propeller shaft and planetary wheel reduction gears

### AXLE SUSPENSION

Front - independent, torsion bars  
Rear - two-lever, spring-balanced

### BRAKE SYSTEM

Shoe brakes with pneumohydraulic drive  
Emergency, parking, auxiliary (engine) and hydrodynamic (retarder) brake  
Semitrailer brakes pneumatic drive

### TYRES

Wide-profile, high cross-country capability  
Single tyres  
Central tyre inflation system (CTIS)  
23,5 R25 XLB  
Number: 8+1

### FRAME

Longitudinal  
Welded, with crossbars  
Equipped with front and rear towing units

### CAB

Full metal, 5 seats or 2 seats + 1 sleeping berth  
Equipped with heating and ventilation systems

### FIFTH WHEEL

Three degree of freedom, Ø 3 1/2"

### ELECTRICAL EQUIPMENT

Nominal voltage 24V

### WINCH

Double-drum with hydraulic drive  
Max. pulling capacity 2x250 kN

For transportation of different tracked vehicles weight up to 48 t

### PERFORMANCE DATA

Platform width, mm	3 800
Load height, mm	1 200
Axles	2
King pin	3 1/2"

### WEIGHT DATA

Curb semi-trailer weight, kg	21 000
Payload, kg	48 000
Gross semi-trailer weight, kg	69 000
Fifth-wheel load, kg	23 000
Permissible weight on axles, kg	2x23 000

### FRAME

Longitudinal  
Welded of low-alloy steel

### AXLE SUSPENSION

Balanced of longitudinal and transverse balancers

### BRAKE SYSTEM

Pneumatic  
Wheel drum mechanisms of shoe type

### ELECTRICAL EQUIPMENT

Nominal voltage, V 24

### TYRES

16.00R20  
Twin wheel  
Tyre failure warning  
Electric determinant of depressed tyre

### RAMPS

Tilted, two-section  
Hydraulic type lifting mechanism  
Angle of arrival 17°

### SPECIAL EQUIPMENT

Support and guide rollers  
Winch cable guide blocks  
Tracked article attachment braces  
Bumper bars

### SUPPORT UNIT

Two independent supports  
Mechanical and hydraulic jacks

VEHICLES OVERCOMING ALL OBSTACLES